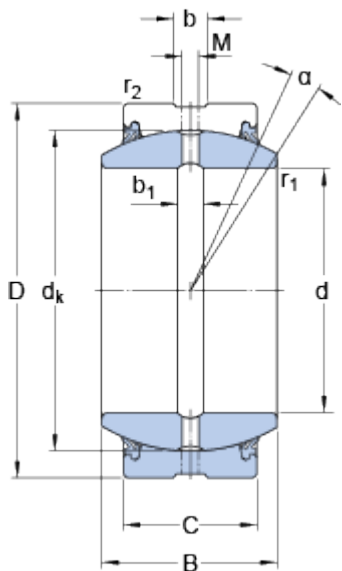


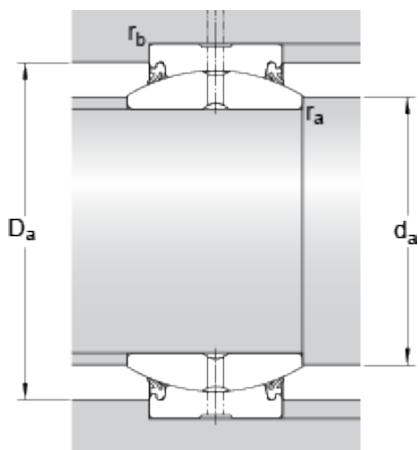
GE 120 ES-2RS

Dimensions



d	120	mm
D	180	mm
B	85	mm
C	70	mm
α	6	°
d_k	160	mm
b	13.5	mm
b_1	13.5	mm
M	6	mm
r_1	min. 1	mm
r_2	min. 1	mm

Abutment dimensions



d_a	min. 129.5	mm
d_a	max. 135.5	mm
D_a	min. 157.5	mm
D_a	max. 172	mm
r_a	max. 1	mm
r_b	max. 1	mm

Calculation data

Basic dynamic load rating	C	950	kN
Basic static load rating	C_0	4750	kN
Specific dynamic load factor	K	100	N/mm ²
Specific static load factor	K_0	500	N/mm ²
Material constant	K_M	330	

Mass

Mass plain bearing		8.25	kg
--------------------	--	------	----